



## Attica crossing for rail 40x20mm

**6015491**

GTIN: 4007126601506

The crossing platform serves as a bridge to the parapet. The passageway width must be at least 500mm to comply with current standards; the length is variable.e.

### Material

hot galvanised steel 1.0037 / ASTM A36

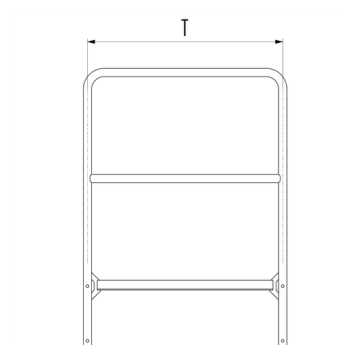
### Depth in mm

500

- Bridging the attic
- Blinding the attic
- LW: 500mm

### Specifications

|                     |  |
|---------------------|--|
| Ladder rail 40x20mm | ✓                                      |
| Slip resistance     | R11                                    |
| Material            | hot galvanised steel 1.0037 / ASTM A36 |
| Depth in mm         | 500                                    |
| Width (in mm)       | 500                                    |



# PRODUCT SPECIFICATION SHEET

---

