

PRODUCT SPECIFICATION SHEET



Ladder external width 490mm

9647101

GTIN: 4007126964786

Application as fixed vertical ladders for buildings and machinery, suitable for indoor and outdoor use.

Material

Steel 1.0037 / ASTM A36, galvanised

Length in m | Number of rungs

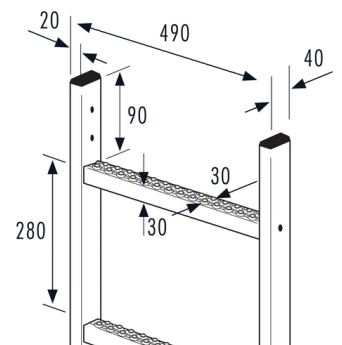
2,80 m | 10 Rungs

- Resistant to corrosion in neutral and slightly acidic environments
- Sturdy, easy-grip rail profiles
- Extendable using ladder connectors
- Easy to install

Scope of Delivery:

Only ladders, without any accessories

- Ladder sections may be shortened, but must be properly post-galvanized
- Safety perforation ensures non-slip rungs



Specifications

Ladder external width in mm	490
Rung spacing 280mm	✓
Material	Steel 1.0037 / ASTM A36, galvanised
Length in m	2,80
Number of rungs	10
Length in m Number of rungs	2,80 m 10 Rungs

PRODUCT SPECIFICATION SHEET

Rail dimension	Square profile 40x20mm
Rung dimension	perforated U-profile design 30 x 30 mm
Weight (KG)	12,0
Width in mm	450

