

# PRODUCT SPECIFICATION SHEET

St.fvz. / V2A 500mm  
(6020671 / 6020661)

## Safety barrier with knee support

**6020661**

GTIN: 4007126013538

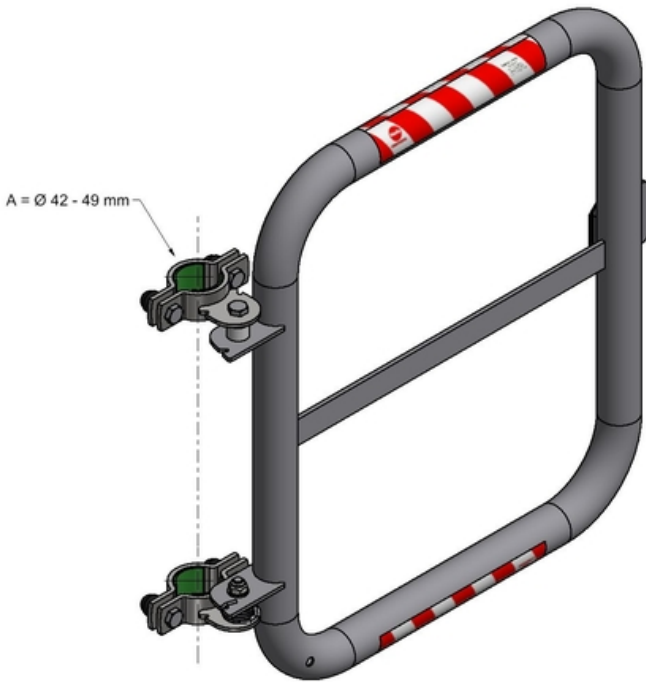
Required according to DIN EN ISO 14122-3:2016

### Material

Stainless steel 1.4301 / AISI 304

### Width (in mm)

500



- Self-locking right/left
- Distance of the hinges: 350 mm

### Specifications

Diameter in mm	42 - 49
Height in mm	600
Material	Stainless steel 1.4301 / AISI 304
Width (in mm)	500

