

PRODUCT SPECIFICATION SHEET

St.fvz. / V2A 500mm
(6020671 / 6020661)

Safety barrier with knee support

6020681

GTIN: 4007126013194

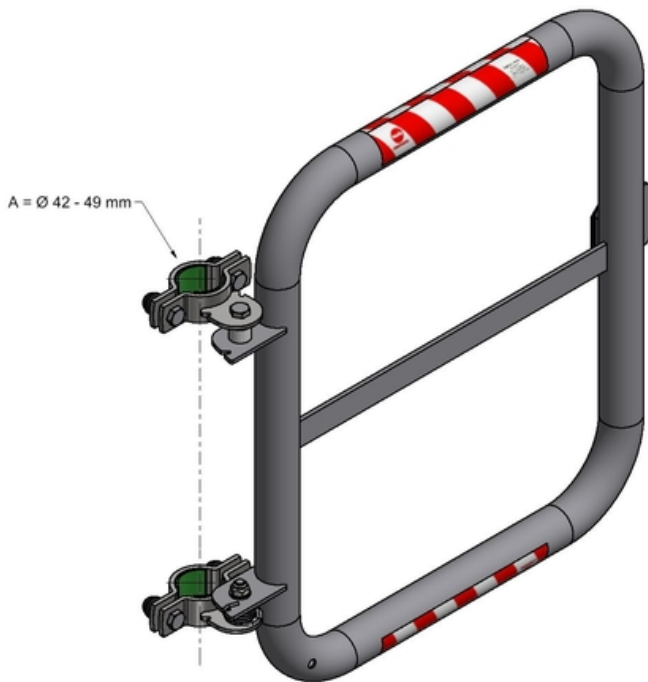
Required according to DIN EN ISO 14122-3:2016

Material

Aluminium AlMg3 / AlMgSi 0,5

Width (in mm)

500



- Self-locking right/left
- Distance of the hinges: 350 mm

Specifications

Diameter in mm	42 - 49
Height in mm	600
Material	Aluminium AlMg3 / AlMgSi 0,5
Width (in mm)	500

