

Barriers with knee rail on structures

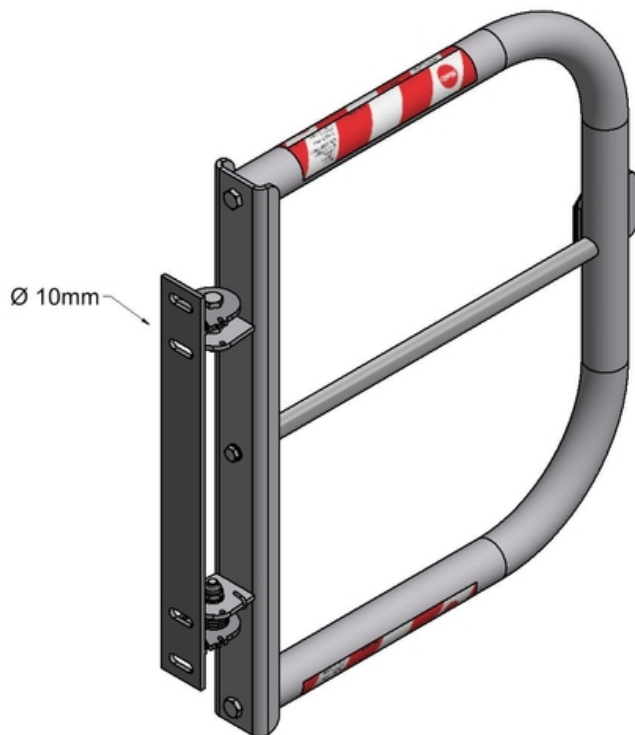
6020621

GTIN: 4007126040411

Required according to DIN EN ISO 14122-3:2016

Material

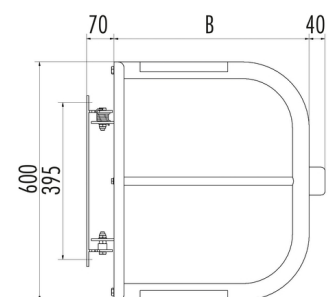
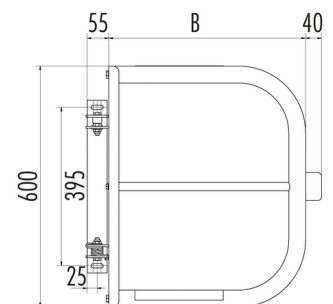
Aluminium AlMg3 / AlMgSi 0,5



- Self-locking right/left

Specifications

Height in mm	600
Width (in mm)	500 - 1000
Weight (KG)	8,5
Material	Aluminium AlMg3 / AlMgSi 0,5



Anbindung 90° - Montage an Wand außen



PRODUCT SPECIFICATION SHEET

Anbindung gerade - Montage an Wand innen

