

Wall mount substructures

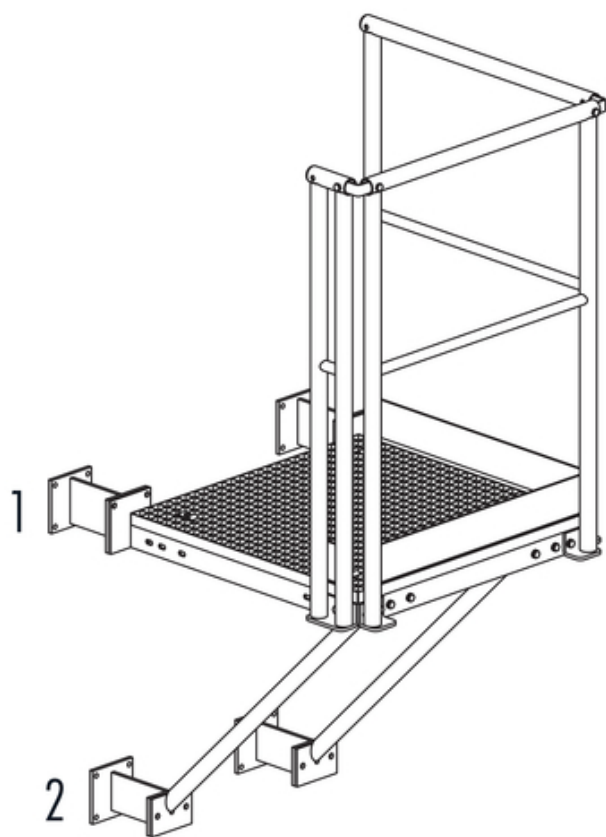
6068241

GTIN: 4007126031587

The wall support substructures are used to bridge a façade or façade To compensate for an enormous roof overhang. Fixing to a steel / concrete wall.

Distance mounting olates
210

Version
Extension platform



- Material: stainless steel 1.4301 stained and passivated
- Including thermal adhesive tape
- Length: 210mm
- for external platforms

Specifications

Material	Stainless steel 1.4301 / AISI 304
Distance mounting olates	210
Version	Extension platform

